



Package air-conditioner Optional parts Installation Manual of MULTI-FUNCTIONAL CASEMENT PAC-SJ41TM-E

Safety precautions

- Before installation, make sure you read all the "Safety precautions".
- The precautions herein provide very important points regarding safety. Make sure you follow them.
- Symbols used in this manual are categorized as follows according to the degree of risk when used improperly:

	Warning	Describes precautions that must be observed to prevent danger of injury or death of the user.
	Caution	Describes precautions that must be observed to prevent damage to the unit.

- After installation, describe the user "Safety precautions", how to use, and how to care for and clean the unit following the operation manual, and test run the unit to confirm whether there are any problems.
- In addition, direct the user to keep this installation manual together with the operation manual, and, should the users change, to give the manuals to the new user.

Warning

- | | |
|--|---|
| Ask the dealer or an authorized technician to install the unit.
• If the unit is installed improperly by the user, water leakage, electric shock, or fire may result. | Installation must be properly done following this installation manual.
• If the unit is installed improperly, water leakage, electric shock, or fire may result. |
| Do not place polyethylene bags in reach of young children.
• Putting them over head will block breathing passages, which could result in suffocation. | |

Before installation (Relocation) and electrical work

Caution

- | | |
|---|---|
| Do not use the unit in an unusual environment.
• If used in an environment with a large amount of volatile oil (including mechanical oil), steam, or sulfidizing gas or where it is high in salt content such as a seashore where the outdoor unit may become blocked by snow, performance may drop significantly or parts may become damaged. | Make sure that heat insulation for refrigerant piping is properly installed to prevent bedewing.
• If heat insulation is not done properly, bedewing of the surfaces such as piping may result, which will make the ceilings, floors, or other valuable items wet.
• Insulation for the joint part must be done after an airtightness test. |
| Drain piping must be done properly according to the installation manual to drain water and must be heat insulated to prevent bedewing.
• If piping is not properly installed, water leakage may result, which will make the ceilings, floors, or other household items wet. | Use proper electrical cables to meet the standard for current capacity.
• If improper electrical cables are used, short circuit, electric shock, or fire may result. |

1 Parts check

(The unit is provided with this manual and following parts in the box.)

MULTI-FUNCTIONAL CASEMENT

Part #, Name	① Multi-functional casement	② Screw with washer (black)	③ Screw	④ Grille securing bracket
Q'ty	1	4 M5x0.8x25	8 M5x0.8x12	4 With insulator
Figure				

NOTICE

- (1) When taking in fresh air from outside, use the PAC-SH65OF-E duct flange (optional). In addition, procure following items at local site: duct fan, duct, and dust collecting filter. Intake-air volume should be 20% or less of indoor unit air volume. Note: It is available of fresh-air intake even when the High-efficiency filter element is installed.
- (2) Follow the procedure in this installation manual of the Multi-functional casement ①. Otherwise, it is possible that installation of refrigerant pipes, drain pipe, and electrical wiring will not be available.

2 Installation of Main unit

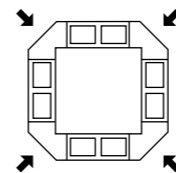
- Follow the procedure in the installation manual which is attached to the main unit.

3 Installation of Multi-functional casement

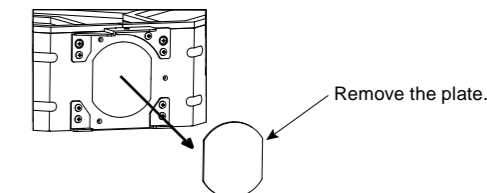
Preparation before installation

- An optional part Shutter plate to change the number of air outlet is to be installed on the main unit of the indoor unit; thus install the shutter plate before installing the Multi-functional casement ①.
- The Multi-functional casement ① has 4 knockout on each side so that the fresh air can be taken from any of four sides. Select any one or two sides in advance and make knockout holes on the Multi-functional casement ①.

— Knockout hole position for fresh-air intake. —



— Making knockout holes —



- Be sure to use the PAC-SH65OF-E (optional) for duct flange.

Electrical work of main unit

- Be sure to do the wiring (indoor/outdoor unit connection cable, remote controller cable, etc.) before installing the Multi-functional casement ①.
- Note: Wiring after installing the Multi-functional casement ① will be difficult.

Temporary installation

Note: Be sure to use two persons for this work.

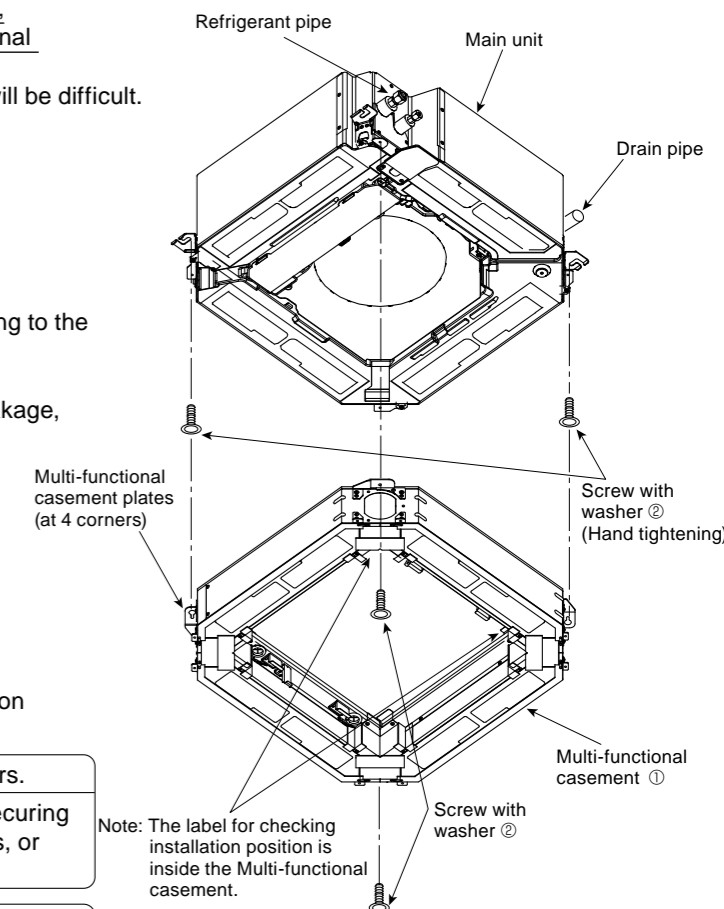
- Fix the 2 screw with washer (black) ② to each position. (drain pipe corner position and to its opposite corner).
 - Align the direction of the Multi-functional casement ① according to the label for checking the installation position attached inside the Multi-functional casement ①.
- Note: If installed in improper direction, parts damage, wind leakage, or dew drop may result.
- Hook the hole of the Multi-functional casement ① to the screw with washer (black) ② and hand tight.

Fixing

- Temporarily secure the 2 screws with washers ②, and also the other 2 screws with washers ②, and then tighten these screws with washers ② after making sure that the position of Multi-functional casement ① is correct.

Caution Temporarily secure the 4 screws with washers.
• Tightening the screws without temporarily securing them could damage the screws with washers, or cause air leakage.

Caution When tightening the screw with washer ②, tighten it at a torque of 2.8 to 3.6 N•m (2.1 to 2.6 ft•lbs) or less. Never use an impact screwdriver.
• It may result in parts damage.

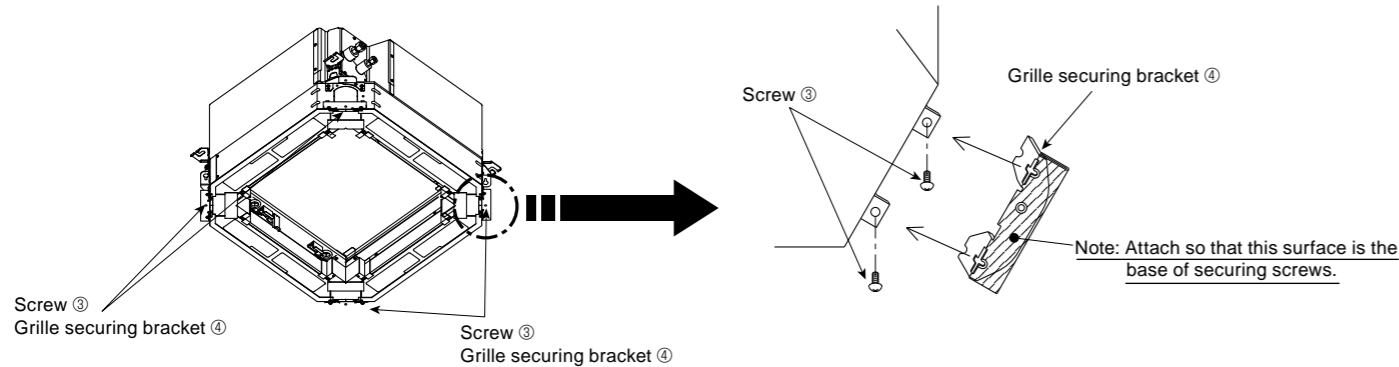


Note: The label for checking installation position is inside the Multi-functional casement.

3 Installation of Multi-functional casement

Attaching bracket for securing grille

- Use 8 screws ③ to secure the 4 Grille securing brackets ④ to each corner of Multi-functional casement ①.
(See the figure below.)

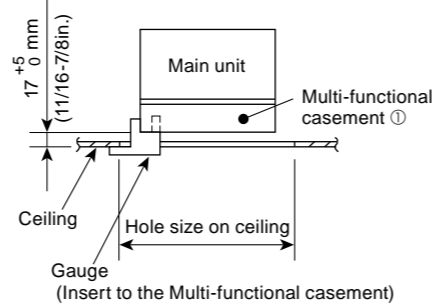


Height adjustment

Note: It is recommended to make this adjustment before installation of duct when fresh air intake.

- Readjust the height of the Multi-functional casement ① with the gauge which is attached to the grille as show right.

The gap must be in a range from 17mm(11/16in.) to 22mm(7/8in.).
If out of range, it can cause malfunction.



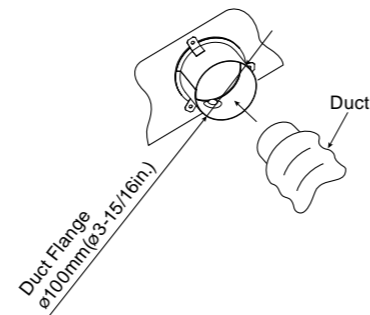
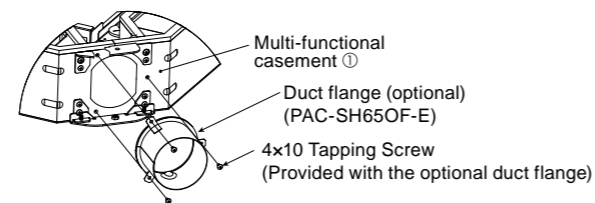
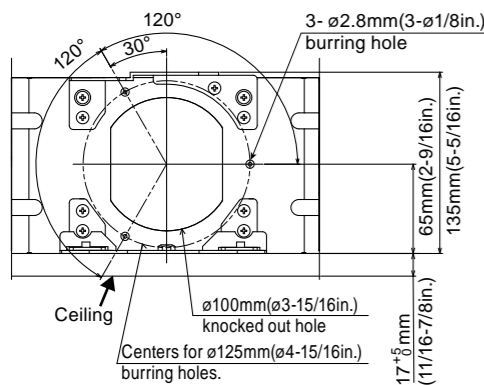
4 Installation of duct (in case of fresh air intake)

Installation of duct flange

- Install the optional duct flange referring to the installation manual provided with it.

Caution	Linkage of duct fan and air conditioner.
	In case that a duct fan is used, be sure to make it linked with the air conditioner when outside air is taken. Do not run the duct fan only. It can cause dew drop.

— Details of air inlet (Example) —



Installation of duct (should be prepared locally)

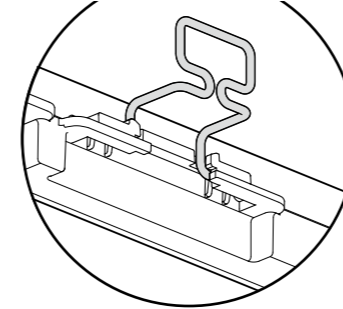
- Prepare a duct of which inner diameter fits into the outer diameter of the duct flange.
- In case that the environment above the ceiling is high temperature and high humidity, wrap the duct in a heat insulator to avoid causing dew drop on the wall.
- A duct must be procured at local site for dust collecting filter since the dust contained in the outside air taken into the indoor unit is not removed without such filter.

5 Installation of grille

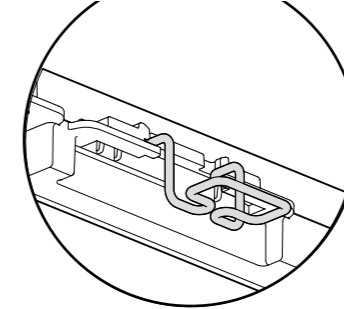
Preparation for temporarily hanging the grille

- Check that the 2 temporary hanging hooks on the grille are in the raised position.

<Grille hook is in the raised position>



<Grille hook is in the lowered position>



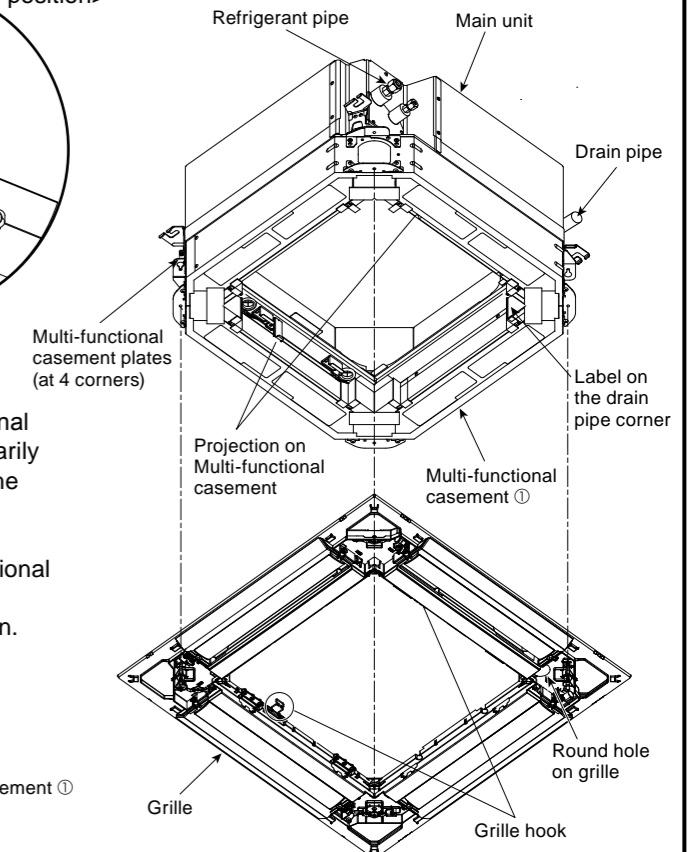
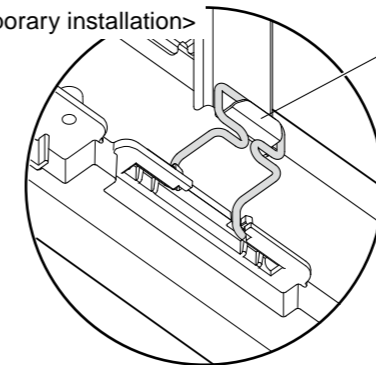
Temporary installation of the grille

- Align the label attached on the drain pipe corner of the Multi-functional casement to the corner with the round hole of the grille, and temporarily install the grille by latching the grille hooks onto the projections on the Multi-functional casement ①.

Notes:

- Make sure electrical wires are not caught between the Multi-functional casement and the grille.
- Never force pressure on the grille during the temporary installation. It may result in accident and damage.

<A grille in temporary installation>



Fixing the grille

- Refer to the installation manual of the main unit for the installation.

Electrical work

- For lead wires of the grille the Signal receiver, and the i-see Sensor make sure that they passed through the bush on the Multi-functional casement, as shown in the right figure, and connect to the main unit.

